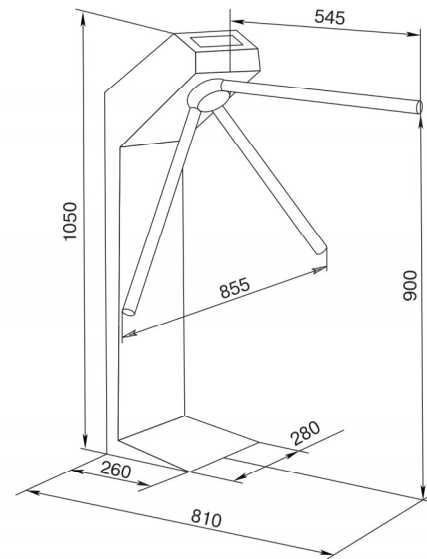
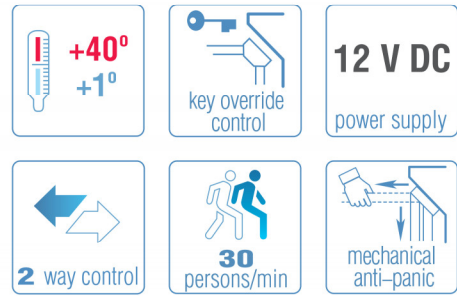


TTR-04.1 COMPACT TRIPOD TURNSTILE



Application

The TTR-04.1 tripod turnstile is a universal access control solution with high throughput capacity and compact design enabling effective management of even intense pedestrian flows.

Available colour options make the TTR-04.1 suitable for various indoor applications: offices, banks, exhibition centres, museums, administrative buildings, retail outlets, railway terminals, airports, etc.

Delivery set

- turnstile with built-in electronics
- remote control panel
- standard/anti-panic barrier arms (the type is chosen by a Client at the time of order)

Materials and Finishes

Turnstile housing – steel; corrosion-resistant zinc coat plus fine structure powder coating finish.

Sandpaper powder coating with pearl mica effect:



light beige



dark grey

Powder coating with lacquered finish:



glitter black, starlit night

Barrier arms - stainless steel.