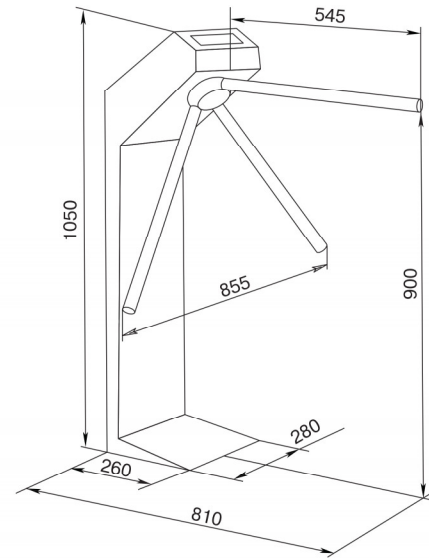
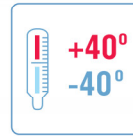


TTR-04CW OUTDOOR COMPACT TRIPOD TURNSTILE



Application

The TTR-04CW tripod turnstile is designed for outdoor applications (under shelter) or in facilities without climate control. For better corrosion resistance the turnstile housing is coated with a layer of zinc 9 micron thick, applied by electro-chemical galvanizing, and after that with a powder coating finish. Together with a built-in thermocontrol system which keeps temperature inside the turnstile housing positive, improved coating makes the TTR-04CW a perfect solution for outdoor use.

Delivery set

- turnstile with built-in thermocontrol system
- remote control panel
- standard barrier arms

Materials and Finishes

Turnstile housing – steel; corrosion-resistant zinc coat plus fine structure powder coating finish.

Sandpaper powder coating with pearl mica effect:



light beige

Barrier arms - stainless steel.