

# Magnum

## K12 Certified Electro-Hydraulic Road Blocker



**ATG Access -hydraulic road blockers are designed for maximum perimeter security. The Magnum K12 crash test certified wedge barrier deters pedestrian traffic and is highly visible when in use.**

The road blockers feature automatic raising and lowering, and install flush to the finished roadway when retracted.

The Magnum vehicle barrier utilizes a pit-mounted, rotating, wedge-style system.

It consists of welded steel members rotated around a heavy steel shaft. Available in a variety of widths, the unit has a barrier guard height of 32".

Especially useful in very cold environments, the Magnum road blocker is undeterred by snow, ice and sand.

The Magnum is K12 certified by the U.S. Department of State

All steel parts are standard hot dipped galvanized for corrosion protection

Black paint with yellow stripes is standard. Custom specified paint colors are available.

Construction and installation by others, such as concrete foundation, rebar, roadway surface, conduit, wiring and hydraulic hoses



access inc

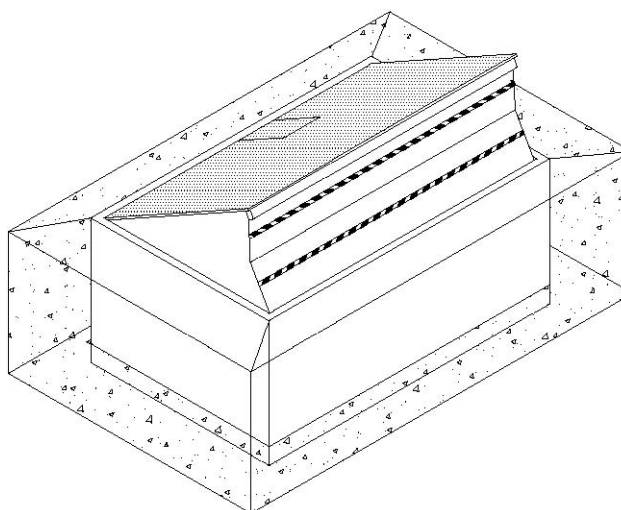
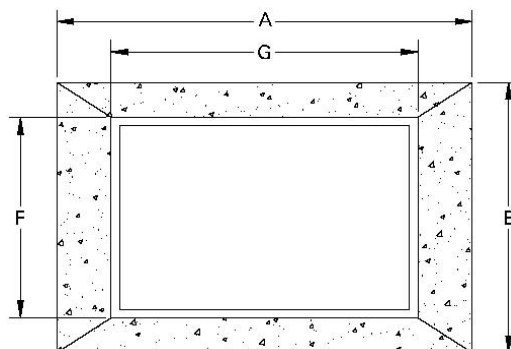
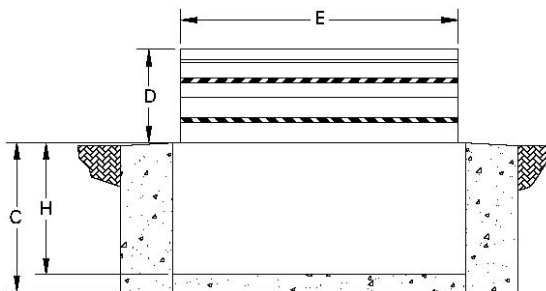
# Features & Options

# Dimensions

## NOMINAL DIMENSIONS (INCHES)

<i>Characteristics</i>	<i>Std</i>	<i>Opt</i>
Manual hand pump	•	
Hot-dipped galvanized	•	
Standard main operator control panel	•	
Custom main operator control panel		•
Remote operator control panel		•
3 HP hydraulic unit	•	
5 HP hydraulic unit	•	
10 HP hydraulic unit	•	
Barrier-up position sensor	•	
Barrier-down position sensor	•	
Hydraulic oil heater/cooler		•
Emergency Fast Operate (EFO)	•	
Dual channel vehicle detector module		•
Traffic signal lights		•
Weather proof HPU enclosure	•	
Custom painted finish		•
PLC Programming	•	
Battery backup		•
Electrical Power Voltages:		•
208-240 Volt AC, 3-Phase, 60 Hertz		•
115-120 Volt AC, Single-Phase		•
208-240 Volt AC, Single Phase		•
380 Volt AC, 3-Phase		•
440-480 Volt AC, 3-Phase		•

	<i>A</i>	<i>B</i>	<i>C</i>	<i>D</i>	<i>E</i>	<i>F</i>	<i>G</i>	<i>H</i>
<b>8'</b>	138	89	52	32	96	66	102	46
<b>10'</b>	162	89	52	32	120	66	125	46
<b>12'</b>	186	89	52	32	144	66	148	46
<b>14'</b>	210	89	52	32	168	66	171	46



access inc

**ATG Access Inc**  
 402 McKinney Parkway  
 Lillington  
 NC 27546  
 USA

Tel: +1 (910) 814 5200  
 Fax: +1 (910) 814 5299  
 Email: [sales@atgaccess.com](mailto:sales@atgaccess.com)

[www.atgaccess.com](http://www.atgaccess.com)

