

demiSELF

demiSELF, the widely glazed structure with an automatic door, is the Tonali answer to create a **protected barrier around whichever ATM device. Users are protected against possible attacks and bad weather** during the operations at the ATM and a dedicated software manages the time while the user is in.

It can be installed in small spaces thanks to its semi-circle shape. It is suitable for different applications like **airports, malls, train stations, hospitals, ministries,**

An improper use of this structure is prevented and **users' safety and security are granted** by a dedicated software.



AIRPORT AREA...



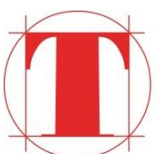
STATION AREA...

Both right and left hand sliding door versions are available using the same structure.

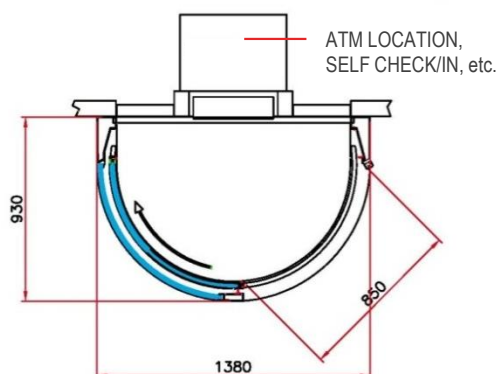
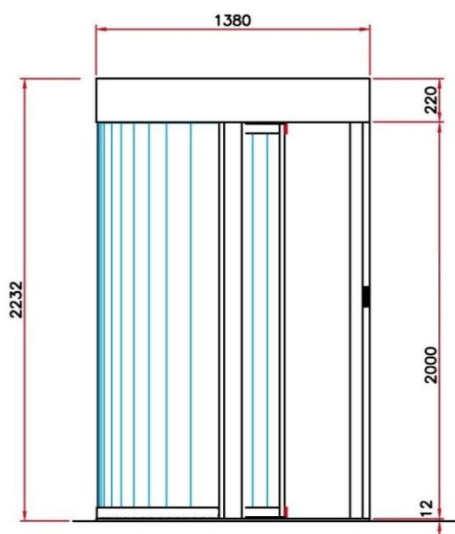
Available in separate parts for local assembly, can be easy installed also to the highest floors.

FEATURES AND OPTIONS

- volumetric left object control system
- volumetric single passage checking system
- digital display, menu-guided command and setting console
- intercom, voice messages and traffic-lights
- easy-link to third party manufactured access control systems (RS232 - RS485 – IBIS interfaces)
- «time out» control
- hidden microcameras inside the cabin
- credit/debit card reader for access control with/without anti-skimmer
- top rainproof protection



TONALI



TECHNICAL FEATURES

- DIMENSIONS: L 1380 x W 930 x H 2232 mm
- FREE PASSAGE AREA: 850 x H 2000 mm
- WEIGHT: roughly 600 Kg
- POWER SUPPLY: 230 V (110 V on request), 50/60 Hz
- VOLTAGE: 12-24 V.d.c. with back-up batteries for uninterrupted operations in case of power loss (up to 100 cycles)
- CONSUMPTION: 100W
- FRAME
 - demountable, in painted steel frame
 - cabins floor: 12mm thick. Cabins do not need to be recessed
- PAINTING AND FINISHING: RAL colors code range standards with «orange skin» finishing (flat finishing, stainless steel execution and other colors on request)
- GLASS: sides and doors equipped with 11/12 mm laminated thick glass rated P2A (different glass thickness on request)
- MOVEMENT: 24 V.d.c. electric-motors assisted sliding-doors movement with reversible option for manual opening in case of total power loss
- LIGHTING inside lighting with 12 V, 50/60 Hz led spots
- ELECTRONICS: microprocessor based electronics
- ACCIDENT PREVENTION MEASURES: self-adjusted braking, speed control and accident prevention devices
- PROGRAMMABLE OPTIONS: emergency escape/door locks; automatic/manual transit; passage one/both directions



TONALI | www.tonali.it

Talith Srl
 Via S. Caterina da Siena 25
 20010 Arluno (MI), Italia
 Tel +39 02 25551620 | Fax +39 02 25551699