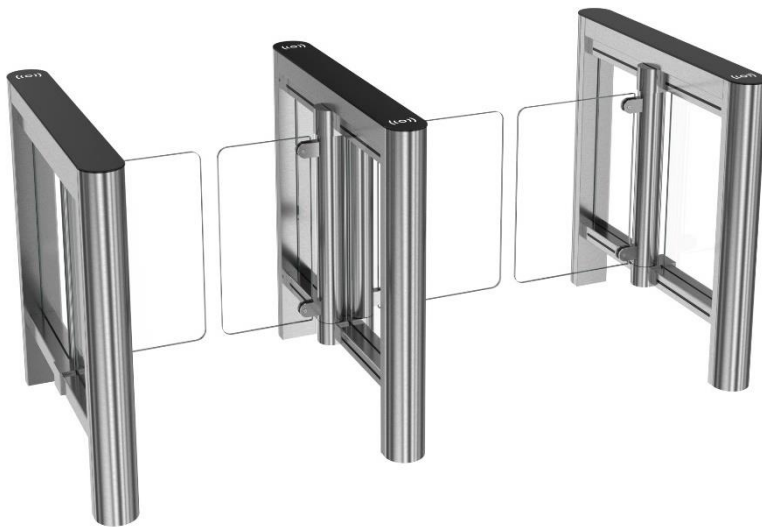


## TILOS series

**Design and speed** are the main features of TILOS series gates. Half-height automatic barriers (up to 1800mm high), perfect for visitors and employees **access control** in areas like headquarters, offices, fitness centers, etc.

To improve the control level, TILOS series gates can have **four different corridors' length** according to the needs. Access is managed by remote control console or by identification systems. In case more than one person try to enter at the same time, an alarm will automatically occur.



TILOS 100



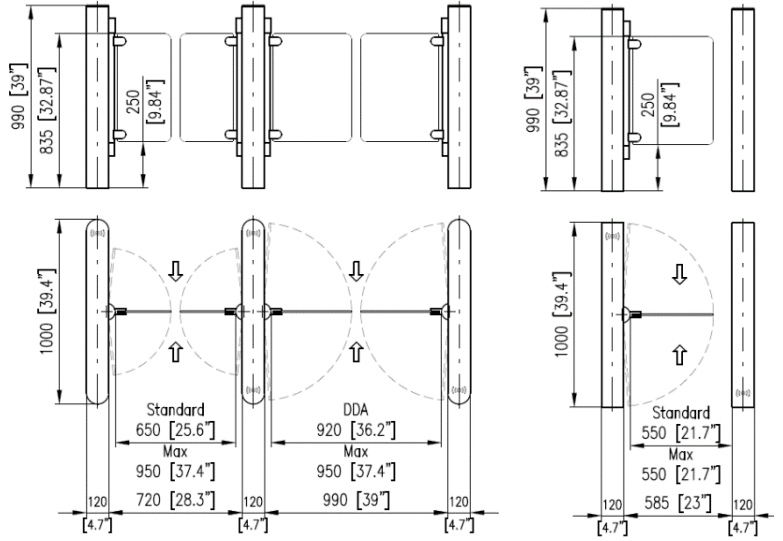
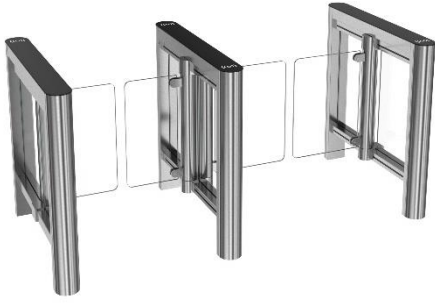
TILOS 150

TILOS series is available in the following configurations:

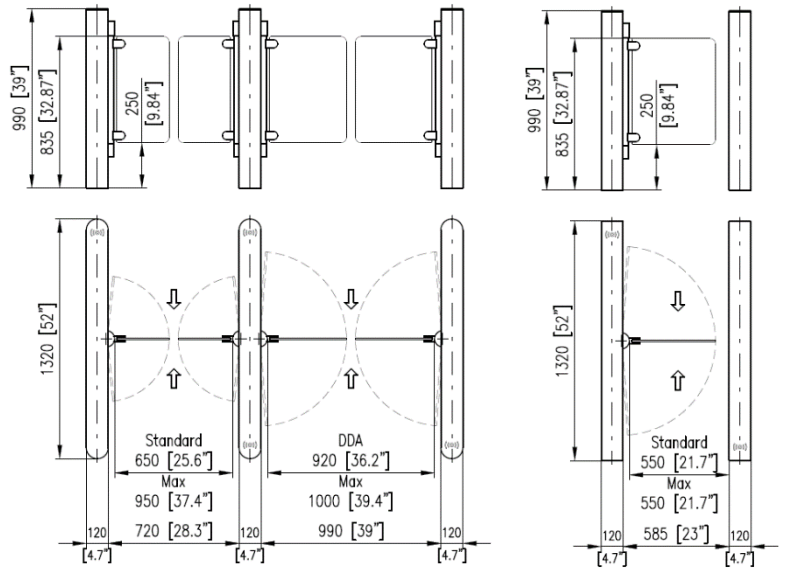
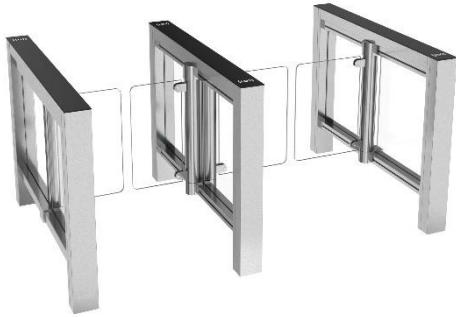
- **TILOS 100**: free width from 550 up to 920 mm
- **TILOS 140** : free width from 550 up to 920 mm
- **TILOS 150**: free width from 550 up to 1050 mm
- **TILOS 200E**: free width from 550 up to 1200 mm



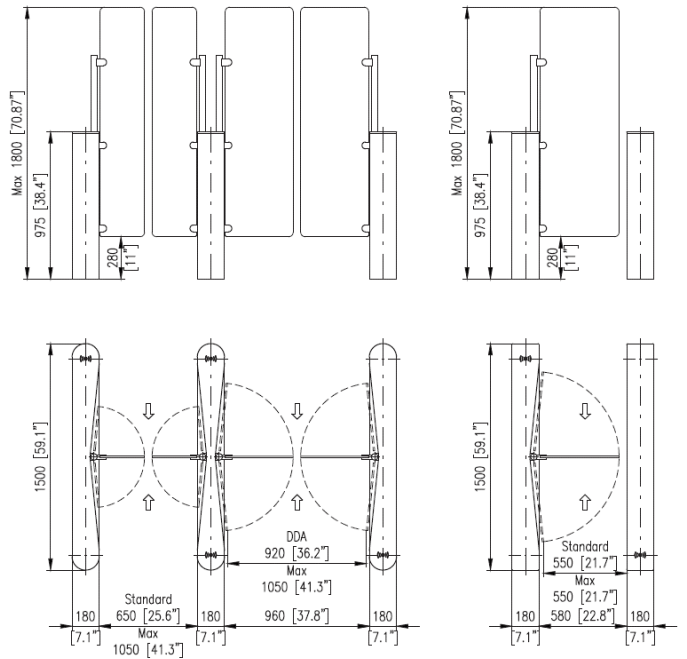
### TILOS 100



### TILOS 140



### TILOS 150



**TONALI**

**AUTOMATIC GATES | ACCESS CONTROL**

## FEATURES AND OPTIONS

- Command and setting console (emergency escape/gate locked; passage one/both directions)
- Easy-link to third party manufactured access control/time and attendance systems
- Motorized mechanism in one or two directions according to the needs
- Software for manual remote control and gates status monitoring via PC
- Detect the attempt at unauthorized passage with monitoring sensors (single passage control)
- Proximity reader suitable space under dark glass of top cover
- Proxy and swipe-card and biometric readers easily added
- In case of power loss the barrier will automatically open or stay closed according to the request
- Traffic lights
- Magnetic Drive Direct Motor unit (**only for TILOS 150**)
- Suitable for outside installation (**only for TILOS 150 and TILOS 200E**)

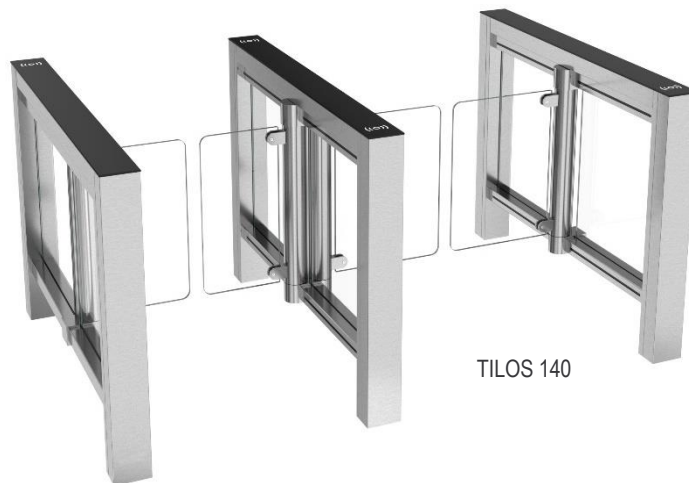
## TECHNICAL SPECIFICATIONS

- GATE DIMENSIONS:
  - TILOS 100: L 1000 x W 120 x H 990 mm
  - TILOS 140: L 1320 x W 120 x H 990 mm
  - TILOS 150: L 1500 x W 210 x H 1200 mm (H max 1800 mm on request)
  - TILOS 200E: L 2000 x W 200 x H 1040mm
- GATE FREE PASSAGE AREA:
  - TILOS 100: L 550 mm (L 920 mm max on request)
  - TILOS 140: L 550 mm (L 920 mm max on request)
  - TILOS 150: L 550 mm (L 1050 mm max on request)
  - TILOS 200E: L 550 mm (L 1200 mm max on request)
- WEIGHT: roughly from 80 Kg up to 140 Kg according to the model and additional options
- POWER SUPPLY: 230V (110 V on request), 50/60 Hz
- VOLTAGE: 12 V.d.c. with optional back-up batteries for uninterrupted operations in case of power loss
- THROUGHPUT: 15-30 people/1', according to the version and people behavior
- RANGE OF OPERATING TEMPERATURE : from +10° up to +50°C; from -25° up to +50°C with additional heating module installed
- HUMIDITY: up to 80%
- FRAME:
  - one-block in stainless steel frame AISI 304
  - motorized tempered 10 mm thick glass wings (available in different colors)
- MOVEMENT: electric-motors assisted movement
- ELECTRONICS: microprocessor based electronics. Cable passage from the bottom
- ACCIDENT PREVENTION MEASURES: accident prevention devices
- PROGRAMMABLE OPTIONS: emergency escape/door locks; automatic/manual transit; passage one/both directions





**TILOS Series**  
Tonali | Talitah



TILOS 140



**TONALI**

Contents inside this document are exclusive property of Talitah Srl and are to be considered indicative and not binding for the owner. Talitah Srl forbids the usage, the copy and the alteration of these contents, except of explicit consent. I contenuti presenti in questo documento sono di proprietà di CoMETA e sono da ritenersi puramente indicativi e non vincolanti per il proprietario. Talitah Srl vieta l'uso, la riproduzione e le modifiche dei contenuti presenti in questo documento. Talitah Srl si riserva il diritto di apportare modifiche senza preavviso.



**TONALI** | [www.tonali.it](http://www.tonali.it)

Talitah Srl  
Via S. Caterina da Siena 25  
20010 Arluno (MI), Italia  
Tel +39 02 25551620 | Fax +39 02 25551699