

## TONDA LIGHT K series

TONDA LIGHT K series is the **solution for a secure, quick and elegant access control**. Automatic interlocked doors, round base, available both in painted steel and in stainless steel, they can be delivered in parts for on-site assembly.

A light structure gives a maximum, glazed surface area.

Equipped with curved doors controlled by a powerful motorized system, it provides rigorous control while maintaining a high flow passage (**from 3 up to 5 passages per minute in the same direction and from 6 up to 8 passages per minute in alternative directions**, according to the model).



TONDA LIGHT K with metal detector



TONDA LIGHT K Plus

**Available in separate parts for local assembly**, can be easy installed also to the highest floors.

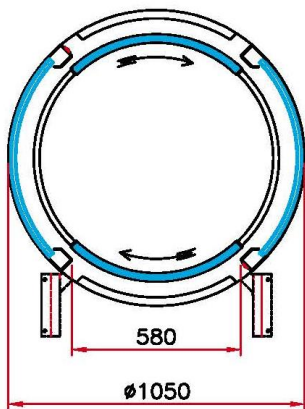
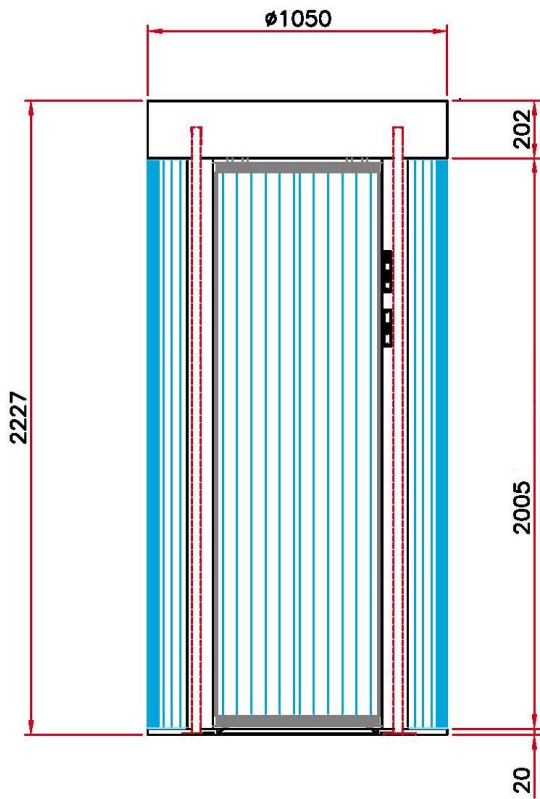
They are available with 180° passage in several models :

- **TONDA LIGHT K:** Ø 1050mm and glass up to 26/27mm
- **TONDA LIGHT K Plus:** Ø 1150mm and glass up to 26/27mm
- **TONDA LIGHT K Maxi:** Ø 1485mm and glass up to 26/27mm



**TONALI**

# TONDA LIGHT K



TONDA LIGHT K with metal detector

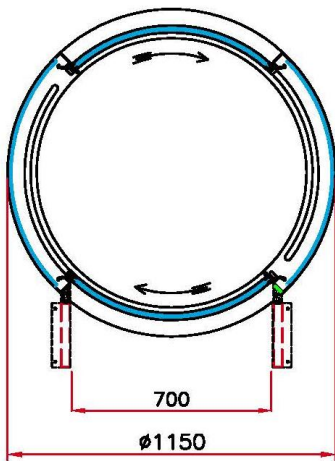
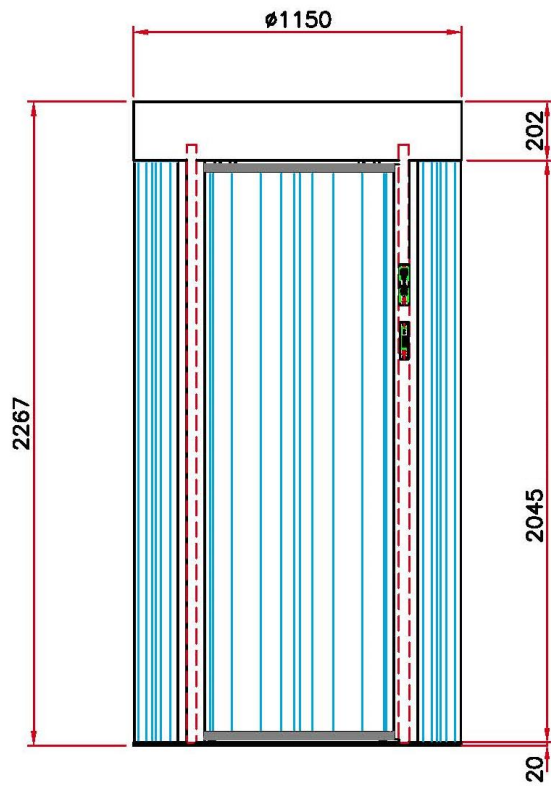


TONDA LIGHT K Plus

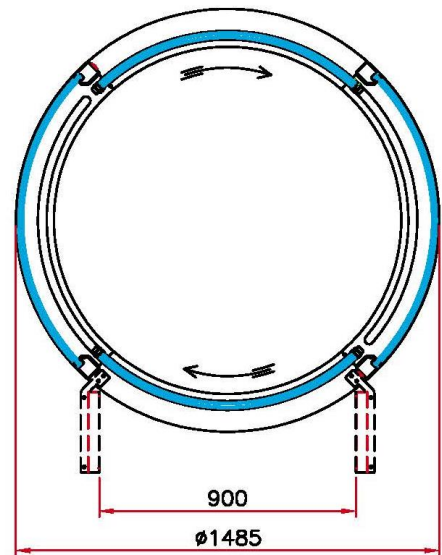
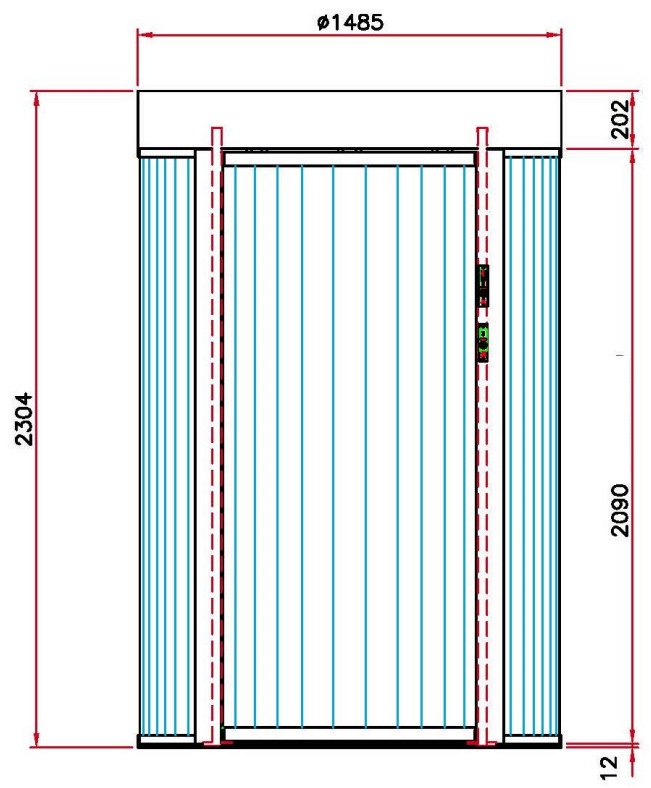


TONDA LIGHT K Maxi with metal detector  
and video analysis system  
IMAGO COUNTER PEOPLE

TONDA LIGHT K Plus



TONDA LIGHT K Maxi



## FEATURES AND OPTIONS

- **built-in metal detector**
- volumetric left object control system
- volumetric single passage checking system
- digital display, menu-guided command and setting console
- intercom, voice messages and traffic-lights
- easy-link to third party manufactured access control systems (RS232 - RS485 – IBIS interfaces)
- hidden microcameras inside the cabin
- proxy, swipe-card and biometric readers easily added
- low-side mechanical key for additional locking

## TECHNICAL SPECIFICATIONS

- **DIMENSIONS:**
  - TONDA LIGHT K  $\varnothing$  1050 x H 2227 mm
  - TONDA LIGHT K Plus  $\varnothing$  1150 x H 2267 mm
  - TONDA LIGHT K Maxi  $\varnothing$  1485 x H 2304 mm
- **FREE PASSAGE AREA:**
  - TONDA LIGHT K L 580 x H 2005 mm
  - TONDA LIGHT K Plus L 700 x H 2045 mm
  - TONDA LIGHT K Maxi L 900 x H 2090 mm
- **WEIGHT:** from 450 Kg up to 900 Kg according to the model and additional options
- **POWER SUPPLY:** 230 V (110 V on request), 50/60 Hz
- **VOLTAGE:** 12-24 V.d.c. with back-up batteries for uninterrupted operations in case of power loss (up to 100 cycles)
- **CONSUMPTION:** 75W on Tonda Light K and K Plus; 95W on Tonda Light K Maxi
- **THROUGHPUT:** 3-5 full cycles/1' one sense; 6-8 full cycles/1' two senses according to the model and additional options
- **FRAME:**
  - available also in separate parts for local assembling
  - cabins floor: 12 mm (standard for TONDA LIGHT K Maxi, on request for other models which have 20mm thick floor as standard)
- **PAINTING AND FINISHING:** RAL colours code range standards with «orange skin» finishing (flat finishing, stainless steel execution and other colours on request)
- **GLASS:**
  - sliding doors with 11/12mm laminated thick glass rated P3A (different glass thickness on request)
  - sides with 20/21mm laminated thick glass rated BR2/S P6B (different glass thickness on request)
- **MOVEMENT:** 24 V.d.c. electric-motors assisted sliding-doors movement with reversible option for manual opening in case of total power loss
- **LIGHTING** inside lighting with 12 V, 50/60 Hz led spots
- **ELECTRONICS:** microprocessor based electronics
- **ACCIDENT PREVENTION MEASURES:** self-adjusted braking, speed control and accident prevention devices
- **PROGRAMMABLE OPTIONS:** emergency escape/door locks; automatic/manual transit; passage one/both directions



**TONALI** | [www.tonali.it](http://www.tonali.it)

**Talith Srl**

Via S. Caterina da Siena 25  
20010 Arluno (MI), Italia

Tel +39 02 25551620 | Fax +39 02 25551699