

TWIN series

TWIN and TWIN Plus, the new double-corridor cabins, are **the smart and cheap solution for a space saving secure access**, backed by the traditional Tonalì **quality**. Thanks to its design it is possible to introduce **metal detector in both corridors**.

The two corridors can be programmed independently according to the needs, setting the options selection at the two programming consoles, each of them controls one corridor. They are delivered only in separate parts for local assembly.

Both the models are available with a straight (180°) passage:

- **TWIN**: base 1750x1050mm and glass up to 29/31mm
- **TWIN Plus**: base 2000x1150mm and glass up to 29/31mm

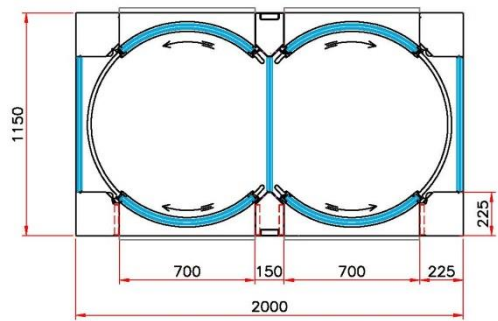
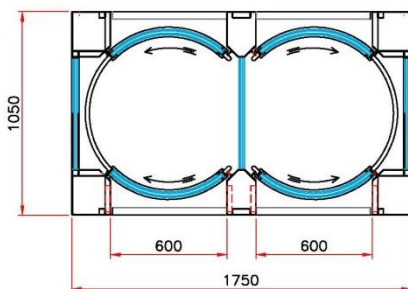
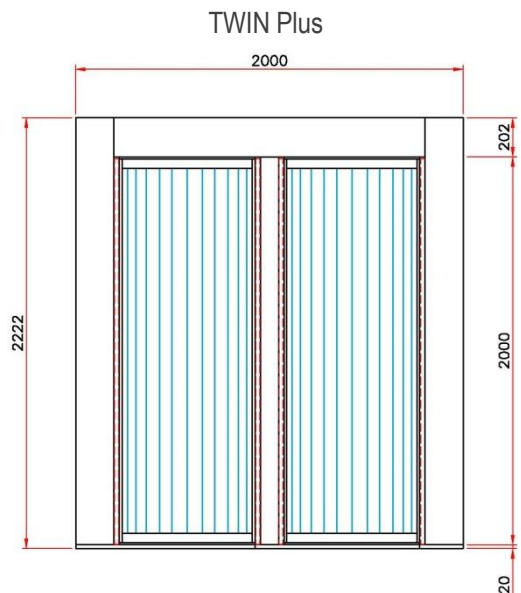
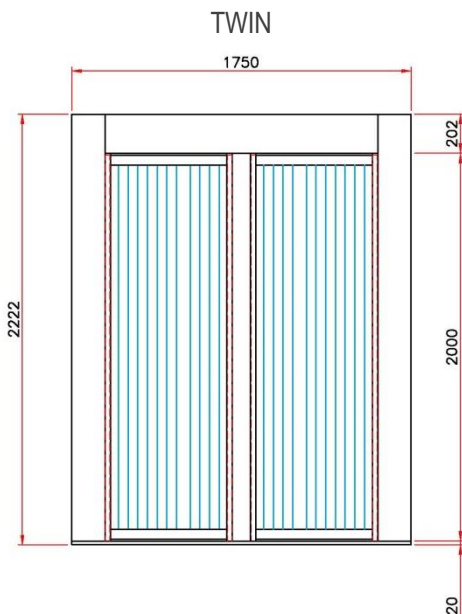


FEATURES AND OPTIONS

- **self-contained built-in metal detector in one or two corridors**
- volumetric left object control system in one or two corridors
- volumetric single passage checking system in one or two corridors
- two digital display, menu-guided command and setting consoles
- intercom, voice messages and traffic-lights
- easy-link to third party manufactured access control systems (RS232 - RS485 – IBIS interfaces)
- hidden microcameras inside the corridors
- proxy, swipe-card and biometric readers easily added
- low-side mechanical key for additional locking



TONALI



- **DIMENSIONS:**
 - TWIN L 1750 x W 1050 x H 2222 mm
 - TWIN PLUS L 2000 x W 1150 x H 2222 mm
- **FREE PASSAGE AREA:**
 - TWIN L 600 x H 2000 mm each corridor
 - TWIN PLUS L 700 x H 2000 mm each corridor
- **WEIGHT:** roughly from 1200 Kg up to 1600 Kg according to the models and additional options
- **POWER SUPPLY:** 230 V (110 V on request), 50/60 Hz
- **VOLTAGE:** 12-24 V.d.c. with back-up batteries for uninterrupted operations in case of power loss (from 100 up to 1000 cycles) each corridor
- **CONSUMPTION:** 175W
- **THROUGHPUT:** 10-11 full cycles/1' one sense; 15-16 full cycles/1' two senses according to the model and additional options
- **FRAME**
 - available only in separate parts for local assembling
 - steel sides on applications (on request)
 - cabins floor: 20 mm thick (cabins do not need to be recessed)
- **PAINTING AND FINISHING:** RAL colours code range standards with «orange skin» finishing (flat finishing, stainless steel execution and other colours on request)
- **GLASS:** sides and doors equipped with 26/27mm laminated thick glass BR3/S/P6B (different glass thickness on request)
- **LIGHTING:** inside lighting with 12 V, 50/60 Hz led spots
- **MOVEMENT:** 24 V.d.c. electric-motors assisted sliding-doors movement with reversible option for manual opening in case of total power loss
- **ELECTRONICS:** microprocessor based electronics
- **ACCIDENT PREVENTION MEASURES:** self-adjusted braking, speed control and accident prevention devices
- **PROGRAMMABLE OPTIONS:** door locks; automatic/manual transit; passage one/both directions



TONALI | www.tonali.it

Talith Srl
 Via S. Caterina da Siena 25
 20010 Arluno (MI), Italia
 Tel +39 02 25551620 | Fax +39 02 25551699