

EM24K series

EM24K series represent Tonali's flexible solution for **security entrances**. Practical and stylish, they fit every background, specifically **ministries, banks, industries and airports**. They can be delivered in parts for on-site assembly; this feature allows them to meet an easy transportation and introduction in final places thanks to the space reduction.



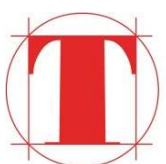
EM24K PLUS



EM24K

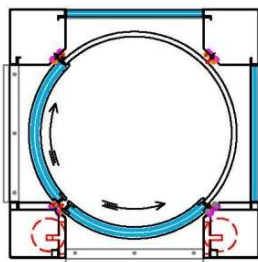
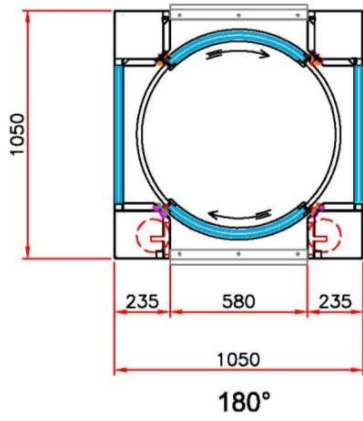
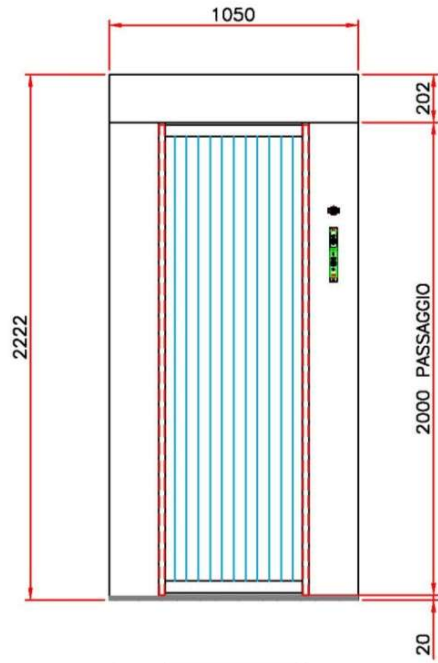
Square models are available with a straight (180°) or left/right angled (90°) passage:

- **EM24K:** base 1050mm and glass up to 29/31mm
- **EM24K Plus:** base 1150mm and glass up to 29/31mm
- **EM24K Maxi:** base 1500mm and glass up to 26/27mm

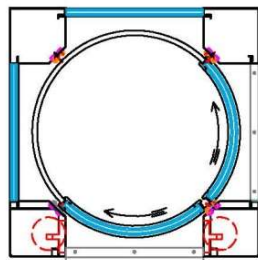


TONALI

EM24K



90° L



90° R

SOME INSTALLATION OF EM24K SERIES



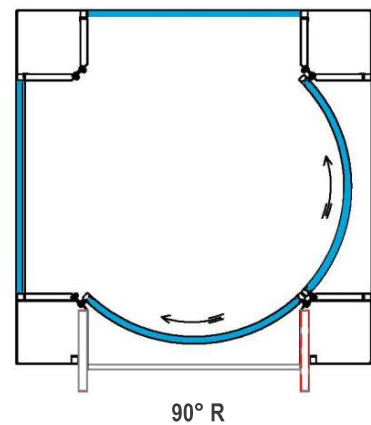
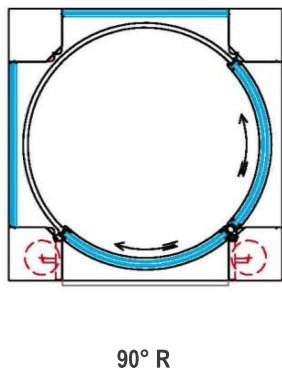
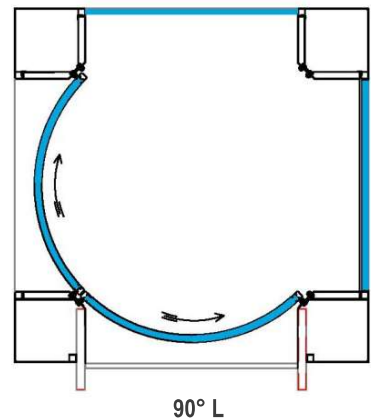
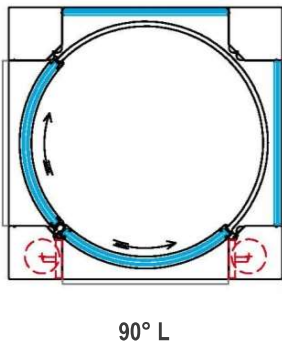
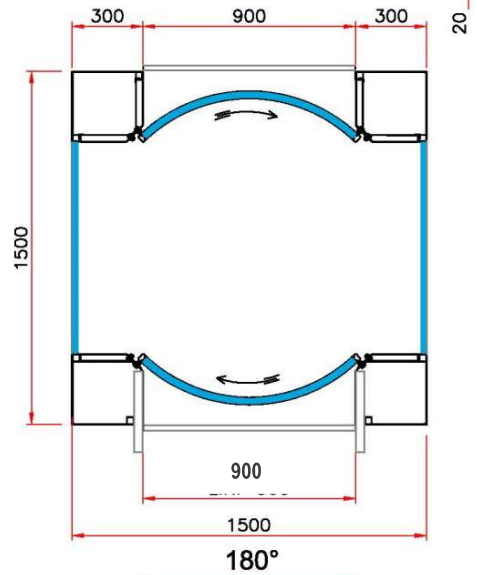
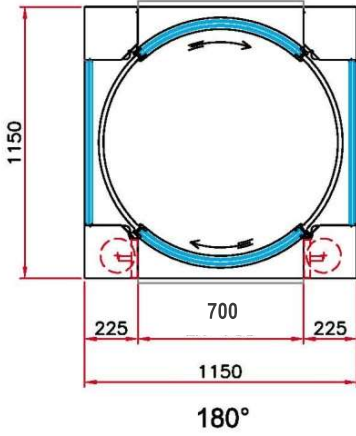
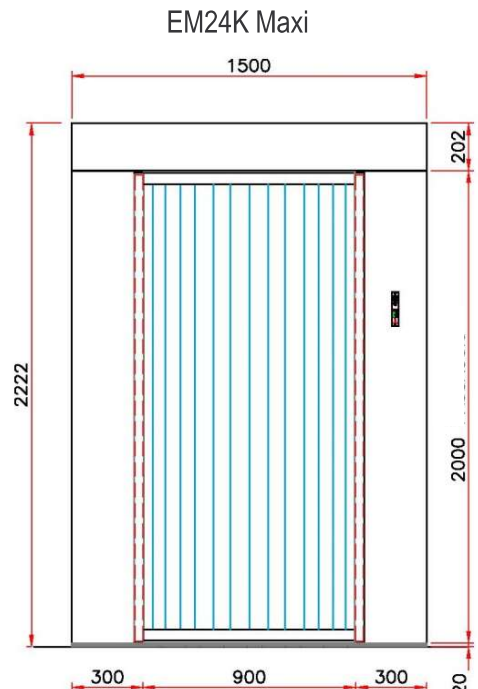
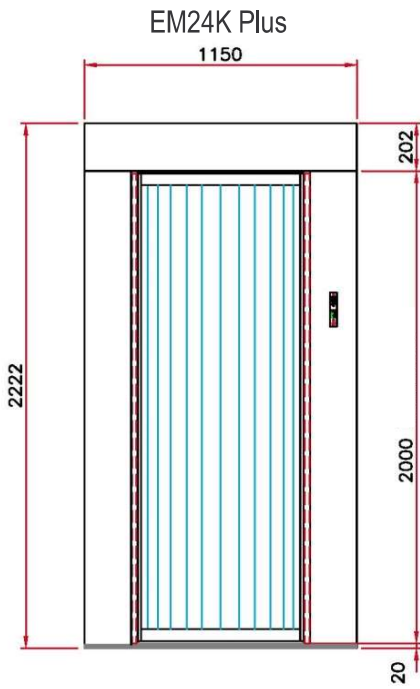
EM24K Maxi (90° right version)



EM24K



EM24K Maxi (emergency mode)



FEATURES AND OPTIONS

- **self-contained built-in metal detector**
- volumetric left object control system
- volumetric single passage checking system
- digital display, menu-guided command and setting console
- intercom, voice messages and traffic-lights
- easy-link to third party manufactured access control systems (RS232 - RS485 – IBIS interfaces)
- hidden microcameras inside the cabin
- proxy, swipe-card and biometric readers easily added
- low-side mechanical key for additional locking

TECHNICAL SPECIFICATIONS

- **DIMENSIONS:**
 - EM24K L 1050 x W 1050 x H 2222 mm
 - EM24K Plus L 1150 x W 1150 x H 2222 mm
 - EM24K Maxi L 1500 x W 1500 x H 2222 mm
- **FREE PASSAGE AREA:**
 - EM24K L 580 x H 2000 mm
 - EM24K Plus L 700 x H 2000 mm
 - EM24K Maxi L 900 x H 2000 mm
- **WEIGHT:** from 700 Kg up to 1050 Kg according to the model and additional options
- **POWER SUPPLY:** 230 V (110 V on request), 50/60 Hz
- **VOLTAGE:** 12-24 V.d.c. with back-up batteries for uninterrupted operations in case of power loss (from 100 up to 1000 cycles)
- **CONSUMPTION:** 85W on EM24K and K Plus; 100W on EM24K Maxi
- **THROUGHPUT:** 3-5 full cycles/1' one sense; 6-8 full cycles/1' two senses according to the model and additional options
- **FRAME:**
 - demountable, in painted steel frame
 - steel sides on applications
 - cabins floor: 20 mm thick (cabins do not need to be recessed)
- **PAINTING AND FINISHING:** RAL colours code range standards with «orange skin» finishing (flat finishing, stainless steel execution and other colours on request)
- **GLASS:** sides and doors equipped with 26/27 mm laminated thick glass rated BR3/S P6B; 20/21mm laminated thick glass rated BR2/S P6B on EM 24K Maxi (different glass thickness on request)
- **LIGHTING:** inside lighting with 12 V, 50/60 Hz led spots
- **MOVEMENT:** 24 V.d.c. electric-motors assisted sliding-doors movement with reversible option for manual opening in case of total power loss
- **ELECTRONICS:** microprocessor based electronics
- **ACCIDENT PREVENTION MEASURES:** self-adjusted braking, speed control and accident prevention devices
- **PROGRAMMABLE OPTIONS:** emergency escape/door locks; automatic/manual transit; passage one/both directions

