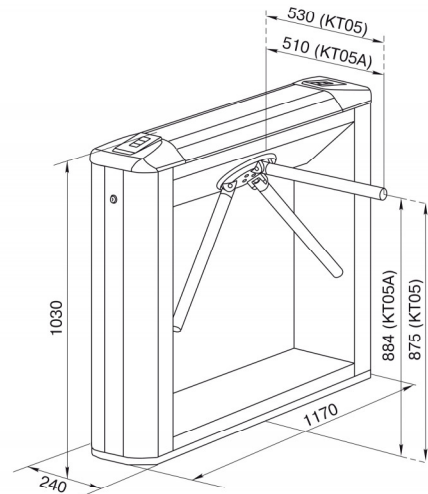




KT-05/KT-05A IP-STILE



+40° +1°	12 V DC power supply	2 way control
30 persons/min	key override control	Ethernet
2 readers	50 000 holders	135 000 events
EMM/HID	mechanical anti-panic	ALARM automatic anti-panic



Application

The KT-05 IP-Stile is a turnkey hardware + software solution to provide effective and secure access control.

Delivery set

- turnstile with built-in controller and two proximity card readers
- remote control panel
- standard/anti-panic barrier arms (the type is chosen by a Client at the time of order)
- SL-01 single-user software

Design

With all the electronics, including card readers and a controller built-in, supplied with free single-user software the KT-05 IP-Stile is a complete one-stop solution for your entrance point. Smart design in stainless steel will be ideal for banks, office buildings, financial and educational institutions.

Materials and Finishes

Turnstile housing/barrier arms – stainless steel.



Stainless steel

