

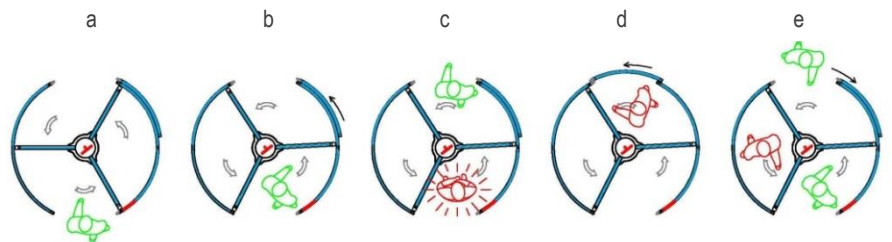
UNIVERS 3T

UNIVERS 3 T is a **multi-sectors revolving-type entrance control system** with built in Metal Detector for patrolled areas. The additional sliding door at the protected area dramatically improved passage flow maintaining a high security level.



In case of a Metal Detector alarm the user occupying the affected sector will find the additional sliding door closed, and will therefore be naturally encouraged to continue and complete a full revolution towards outside the building.

Thus in situation where a Metal Detector alarm is active the cycle is not in any way adversely affected.

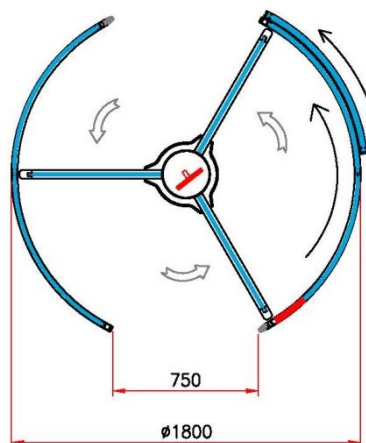
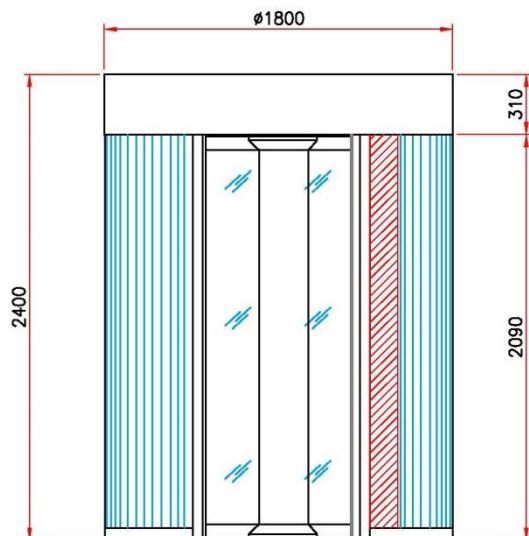


FEATURES AND OPTIONS

- **self-contained built-in metal detector**
- digital display, menu-guided command and setting console
- intercom, voice messages and traffic-lights
- easy-link to third party manufactured access control systems (RS232 - RS485 – IBIS interfaces)
- proxy, swipe-card and biometric readers easily added
- turnstile manual unlock system in case of emergency



TONALI



TECHNICAL SPECIFICATIONS

- SIZES: Ø 1800 x H 2400 mm
- FREE PASSAGE AREA: L 750 x H 2090 mm
- WEIGHT: roughly 1200 Kg according to the model and additional options
- POWER SUPPLY: 230 V (110 V on request), 50/60 Hz
- VOLTAGE: 12-24 V.d.c. with back-up batteries for uninterrupted operations in case of power loss (from 100 up to 1000 cycles)
- THROUGHPUT: 11-12 full cycles/1' one sense; 23-24 full cycles/1' two senses according to the model and additional options
- FRAME:
 - painted steel available only in separate parts for local assembling
 - no floor (installation directly on the existing floor)
- PAINTING AND FINISHING: RAL colors code range standards with «orange skin» finishing (flat finishing, stainless steel execution and other colors on request)
- GLASS:
 - closing sliding door and sides equipped with 20/21mm laminated thick glass rated BR2/S P6B
 - central turnstile wings equipped with 13/14mm laminated thick glass rated P4A
- LIGHTING: inside lighting with 12 V, 50/60 Hz led spots
- MOVEMENT: 24 V.d.c. electric-motor assisted turnstile wings movement with reversible option free rotation in case of total power loss
- ELECTRONICS: microprocessor based electronics
- ACCIDENT PREVENTION MEASURES: self-adjusted braking, speed control and accident prevention devices
- PROGRAMMABLE OPTIONS: emergency escape/door locks; automatic/manual transit; passage one/both directions



TONALI | www.tonali.it

Talith Srl
Via S. Caterina da Siena 25
20010 Arluno (MI), Italia
Tel +39 02 25551620 | Fax +39 02 25551699